

Seal-Fast™

Plate-Seal Protection System



Plate-Seal is the fastest, safest, and most reliable way to protect critical equipment in places where wire, cable, air hoses, liquid hoses, and fuel and oil lines pass through openings and are in contact with sharp panel surfaces. The flame resistant Plate-Seal protects against chafing and abrasion, and seals out heat, fumes, dust, moisture, and other contaminants. The rubber grommet portion grips tightly to create an environmental seal that provides a clean and organized appearance. Plate-Seal mounts to a panel using rivets or screws and is offered in stock sizes which can be customized to fit many applications.

Features and Benefits:

- Fast and easy to install with use of screw, rivets, or optional PSA
- Encapsulated to keep unwanted contaminants from entering through hole or cutout area
- Protects wire, cables, and hoses from chafing and abrasion
- Enhances appearance
- No need for extended cure time adhesives or other auxiliary material
- Accepts a wide range of cable diameters
- UV and ozone resistant
- Excellent resistance to abrasion, compression set, flex cracking, impact, tear, and vibration

Applications:

- Aircraft galley equipment
- Avionics
- Bulkhead
- Automotive
- Railway
- Telecommunications
- Marine
- Trailers and motor homes
- General industrial



Performance:

- Resistant to fluids (solvents, fuels, and oils) per MIL-R-3065D, MIL-R-6855, and MIL-R-2765
- Continuous operating temperature: -50°F to 320°F (-45°C to 160°C)
- Intermittent operating temperature: -70°F to 400°F (-57°C to 204°C)

Product Sizes per Product Type:

- For hole diameters and cutouts from 1" to 5" (25.4mm to 127mm)
- For standard cable bundles or hose diameters from 0.25" to 1.5" (6.4mm to 38.1mm)
- Choose seal inside diameter that is 1/16" to 1/8" (1.59mm to 3.18mm) smaller than bundle/hose diameter.
- Largest bundle/hose diameter should be at least 3/8" (9.53mm) less than seal outside diameter.
- Custom solutions per application



www.devicetech.com

The information contained in this data sheet is based on our experience to date and is believed to be reliable. It is intended as a guide for use by persons having technical skill at their discretion and risk. We do not guarantee favorable results or assume any liability in connection with its use. Dimensions contained herein are for reference purposes only. For specific dimensional requirements, consult the factory. This publication is not to be taken as license to operate under, or a recommendation to infringe upon any existing patents. This supersedes and voids all previous literature, etc. Device Technologies, Inc. expressly disclaims any and all express or implied warranties concerning its products including without limitation, warranty of fitness for a particular purpose and warranty of merchantability.

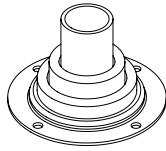
PS-0909/2M

Plate-Seal Specifications and Ordering Options

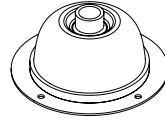
Seal Types



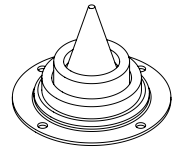
"A" Single Seal



"B" Bellow Seal

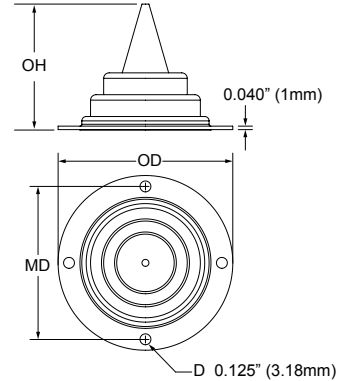
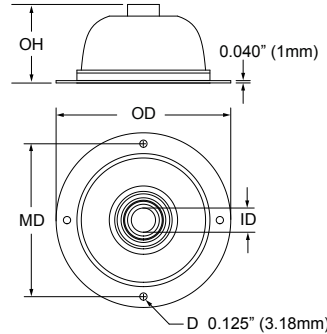
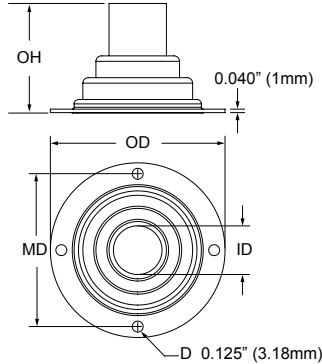
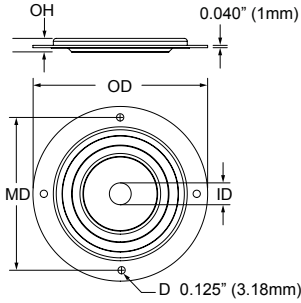


"C" Dome Seal



"D" Pointed Bellow Seal

Standard Dimensions



Part Numbers

DTi Part Number	Seal Type	"OD" Overall Diameter		"OH" Overall Height		"ID" Seal Inside Diameter		Seal Outside Diameter		Seal Height		"MD" Mounting Hole Distance	
		inches	mm	inches	mm	inches	mm	inches	mm	inches	mm	inches	mm
PS-1.5-A-BL	A	1.5	38.1	0.16	4.1	N/A	N/A	1.00	25.4	0.12	3.0	1.25	31.8
PS-2.0-A-BL		2.0	50.8	0.16	4.1	N/A	N/A	1.55	39.4	0.12	3.0	1.75	44.5
PS-3.0-A-BL		3.0	76.2	0.16	4.1	N/A	N/A	2.25	57.2	0.12	3.0	2.625	66.7
PS-3.0-A-25		3.0	76.2	0.16	4.1	0.25	6.4	2.25	57.2	0.12	3.0	2.625	66.7
PS-3.0-A-38		3.0	76.2	0.16	4.1	0.375	9.5	2.25	57.2	0.12	3.0	2.625	66.7
PS-3.0-A-50		3.0	76.2	0.16	4.1	0.50	12.7	2.25	57.2	0.12	3.0	2.625	66.7
PS-3.0-A-63		3.0	76.2	0.16	4.1	0.625	15.9	2.25	57.2	0.12	3.0	2.625	66.7
PS-3.0-A-75		3.0	76.2	0.16	4.1	0.75	19.1	2.25	57.2	0.12	3.0	2.625	66.7
PS-3.0-A-95		3.0	76.2	0.16	4.1	0.95	24.1	2.25	57.2	0.12	3.0	2.625	66.7
PS-3.0-A-118		3.0	76.2	0.21	5.3	1.18	30.0	2.385	60.6	0.17	4.3	2.625	66.7
PS-4.0-A-BL		4.0	101.6	0.10	2.5	N/A	N/A	3.0	76.2	0.06	1.5	3.625	92.1
PS-4.0-A-100		4.0	101.6	0.10	2.5	1.0	25.4	3.0	76.2	0.06	1.5	3.625	92.1
PS-4.0-A-180		4.0	101.6	0.10	2.5	1.8	45.7	3.0	76.2	0.06	1.5	3.625	92.1
PS-4.5-A-150		4.5	114.3	0.29	7.4	1.5	38.1	3.4	86.4	0.25	6.4	4.0	101.6
PS-4.5-A-212		4.5	114.3	0.29	7.4	2.12	53.8	3.4	86.4	0.25	6.4	4.0	101.6
PS-6.0-A-BL		6.0	152.4	0.10	2.5	N/A	N/A	5.0	127	0.06	1.5	5.5	139.7
PS-2.0-B-42		B	2.0	50.8	1.15	29.2	0.416	10.6	1.2	30.5	1.11	28.2	1.75
PS-3.0-C-42	C	3.0	76.2	1.35	34.3	0.416	10.6	2.062	52.4	1.31	33.3	2.625	66.7
PS-1.5-D-BL	D	1.5	38.1	0.64	16.3	N/A	N/A	0.50	12.7	0.60	15.2	1.25	31.8
PS-2.0-D-BL		2.0	50.8	0.50	12.7	N/A	N/A	0.8	20.3	0.46	11.7	1.75	44.5

I.S. EN ISO 9001:2008 • AS9100-B/ISO 9001:2008 Certified. Registration No. AS19.4480

Certified Vendor to Fortune 100 & 500 OEMs, JIT w/ MAJOR OEMs Worldwide, supported by International Distribution



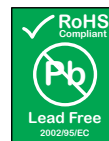
www.devicetech.com

USA Toll Free: +1-800-669-9682

Phone: +1-508-229-2000 x 130

Fax: +1-508-229-2622

Email: customerservice@devicetech.com



The information contained in this data sheet is based on our experience to date and is believed to be reliable. It is intended as a guide for use by persons having technical skill at their discretion and risk. We do not guarantee favorable results or assume any liability in connection with its use. Dimensions contained herein are for reference purposes only. For specific dimensional requirements, consult the factory. This publication is not to be taken as license to operate under, or a recommendation to infringe upon any existing patents. This supersedes and voids all previous literature, etc. Device Technologies, Inc. expressly disclaims any and all express or implied warranties concerning its products including without limitation, warranty of fitness for a particular purpose and warranty of merchantability.