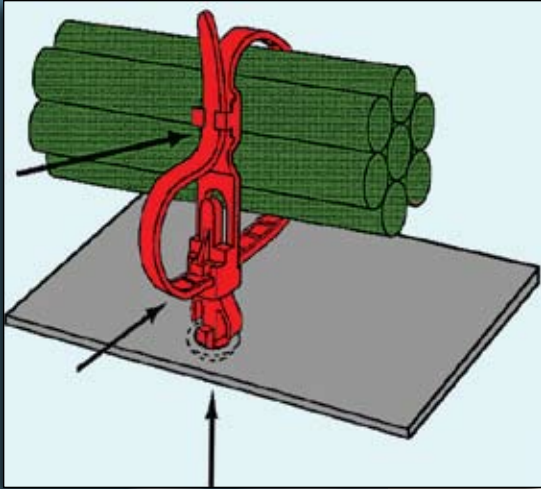


# DTi-Ti's Pull-Mount Cable Tie



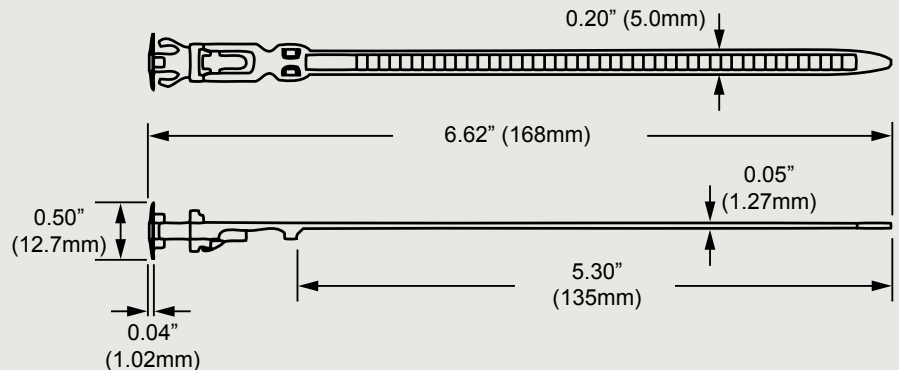
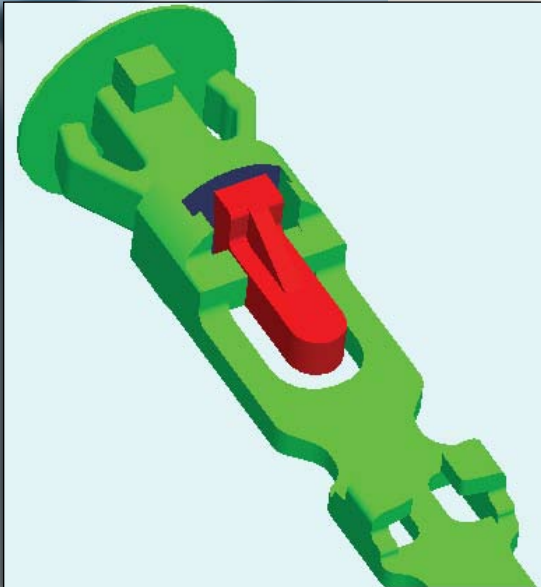
The Pull-Mount cable tie installs from the bottom of the panel. The high strength button head snaps fast and easily into a 3/8" (9.5 mm) diameter hole inside a panel with a thickness range from 0.045" (1.1 mm) to 0.100" (2.5 mm). The cable tie loops around the cables to secure the bundle. The excess cable tie is pushed through the releasable latch mechanism and the retaining tabs to create a secure fit, eliminating the need to cut off excess.

## Features and Benefits:

- Fast and easy assembly
- UV resistant for indoor and outdoor use
- Flame retardant per UL94-V2
- RoHS Compliant
- Operating temperature range: -40°F to 221°F (-40°C to 105°C)
- Application hole diameter: 0.375" (9.5mm)
- Application panel range: 0.045" to 0.100" (1.1mm to 2.5mm)
- Maximum bundle diameter: 1.75" (4.44cm)

## Applications:

- Aircraft Seating
- Appliances
- Cell Towers
- Aerial Support
- Telecommunications
- Transportation
- General Industrial



I.S. EN ISO 9001:2008 • AS9100-B/ISO 9001:2008 Certified. Registration No. AS19.4480  
Certified Vendor to Fortune 100 & 500 OEMs, JIT w/ MAJOR OEMs Worldwide, supported by International Distribution

**DTi** device  
technologies, inc.  
[www.devicetech.com](http://www.devicetech.com)

USA Toll Free: +1-800-669-9682  
Phone: +1-508-229-2000 x 130  
Fax: +1-508-229-2622  
Email: [customerservice@devicetech.com](mailto:customerservice@devicetech.com)

